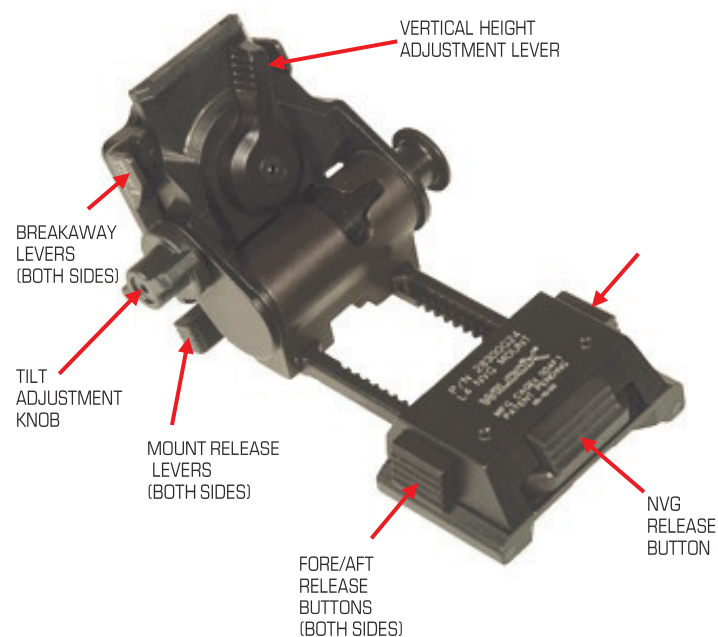


PRODUCT IDENTIFICATION



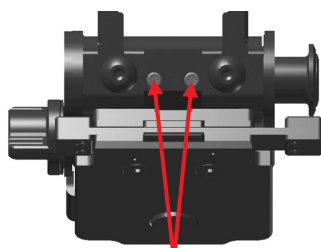
Features of the L⁴ G24 Mount (Right View)

CARE AND MAINTENANCE

Clean the Mount by flushing away dirt with fresh water and/or wiping down the assemblies with a clean, damp cloth. If used in a salt water environment, flushing with fresh water and drying after use is recommended. If used extensively in a salt water environment, lightly lubricate stainless steel parts as needed.

Vertical and horizontal adjustment and release mechanisms that are not kept free from debris may bind, and the assembly may not lock the mount into the up or down position. Lubricate lightly as needed.

Check Tilt Adjustment and NVG Interface for any play in the mechanisms. If necessary, tighten the screws with a Hex Driver, as illustrated below.



INSERT 1/16 HEX DRIVER TO ADJUST; CCW TO LOOSEN, CW TO TIGHTEN

Tightening Tilt Adjustment Screws



INSERT .050 HEX DRIVER TO ADJUST; CCW TO LOOSEN, CW TO TIGHTEN

Tightening NVG Interface Screws

WARRANTY STATEMENT

Based on the Magnuson-Moss Warranty Act, Wilcox Industries Corp. offers no express warranty on its product line. However, Wilcox Industries Corp. recognizes its obligation concerning implied warranty.

Wilcox Industries Corp. mounts will be serviced or replaced in accordance with the following schedule at no cost to the purchaser for defects in materials or workmanship. Shipment will be made via UPS ground prepaid to any continental United States destination.

NVG Filter Covers	90 Days
Mount Accessories and NVG Lanyards	One Year
Mounts (Unless otherwise specified)	Lifetime
Mounts with Electrical System	One Year

Wilcox Industries Corp. must be contacted to assign a **Return Merchandise Authorization (RMA) Number** prior to return shipment.

To expedite return, repair, and/or replacement of the mounts purchased under a military contract Wilcox Industries Corp. will accept any package at the address below, clearly marked:

Wilcox Industries Corp.
RMA # _____
25 Piscataqua Drive
Newington, NH 03801
603-431-1331

Be sure to retain your packing list as proof of delivery date when making a warranty claim. If proof of delivery acceptance is not available, the warranty period shall start from the date of manufacture that is laser engraved on the mounts. Warranty is void if date of manufacture is defaced.

The mounts should be securely packaged, accompanied by a letter including sender's name, address, daytime phone number, date of purchase, date of manufacture, lot number and a description of the problem or work to be performed.

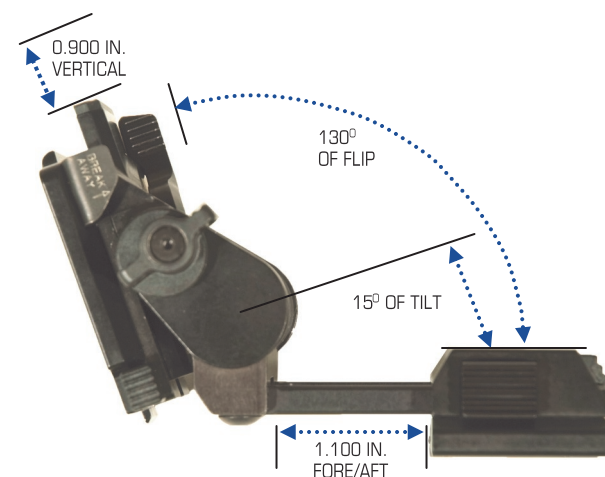
1. USING A PHILIPS SCREW DRIVER, REMOVE THE EXISTING WASHER AND SPRING RING.
2. REPLACE THE SPRING RING WITH THE HIGH TENSION RING PROVIDED.
3. REPLACE THE WASHER AND SCREW, AND SECURE UNTIL HAND TIGHT.



The pre-installed ring allows removal of the lanyard and is unplated. The high tension ring prevents easy removal of the NVG Lanyard from the NVG Mount and is plated black. This allows for ease in identification. Upon installation of the high tension spring ring, it will take considerable force to mount NVG Lanyard to the NVG Mount.

To Replace the NVG Lanyard Ring with High Tension Interface Ring:

ADJUSTMENT RANGES



(G24 Side View)

Manufactured by:



MODULAR BY DESIGN™

Wilcox Industries, Corp.
 25 Piscataqua Drive
 Newington, NH 03801-7816

Phone: 603-431-1331
 Fax: 603-431-1221

WWW.WILCOXIND.COM

GENERAL SAFETY WARNINGS

WARNING

When performing operations that could cause entanglement, ensure that the break away feature is not obstructed in any way.

OPERATION AND MAINTENANCE
 INSTRUCTIONS FOR THE

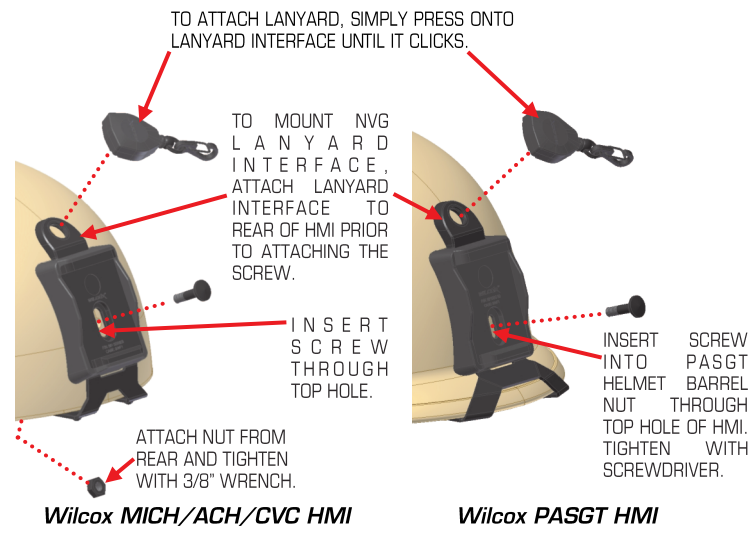
L⁴ G24 Family of Breakaway Lever Mounts
CAGE: 004F1



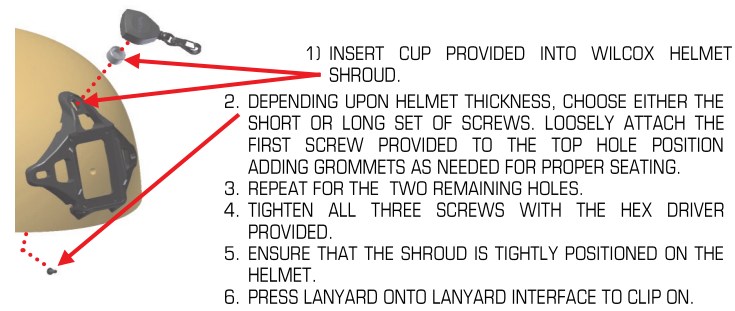
© 2009-2013 Wilcox Industries Corp. All rights reserved. Printed in USA. Wilcox's line of L⁴ NVG Mounting Systems is Patent Pending. Wilcox® is a registered trademark of Wilcox Industries Corp. ops-core® is a registered trademark of Ops-Core, Inc. Loctite® is a registered trademark of Henkel AG & Co. LUCIE™ is a trademark of Thales Angenieux. VAS SHROUD™ is a trademark of Ops-Core, Inc. All other trademarks and registered trademarks in this manual are the property of their respective companies. Specifications and other data are subject to change without notice.

INSTALLATION

To Attach the L4 G37 Helmet Mount Interface (HMI) to the Helmet



To Attach the Wilcox Three-Hole HMI and Optional Lanyard to the Helmet



To Attach the (Optional) Ratchet Strap to the Helmet:

(MICH/ACH/CVC DEPICTED)



To Detach the (Optional) Ratchet Strap from the Helmet:

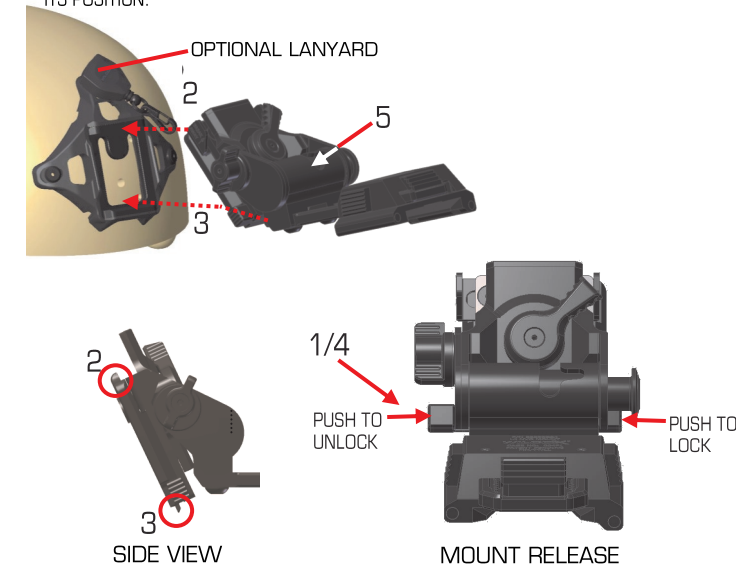
(MICH/ACH/CVC DEPICTED)



To Attach the NVG Mount:

(HMI DEPICTED)

1. SLIDE THE MOUNT RELEASE LEVER TO THE LEFT USING THE RIGHT THUMB TO UNLOCK THE MOUNT RELEASE.
2. INSERT THE TOP MOUNTING GUIDE.
3. ROTATE THE MOUNT DOWNWARD UNTIL IT SEATS.
4. SLIDE THE MOUNT RELEASE LEVER TO THE RIGHT USING THE RIGHT FOREFINGER TO SECURE.
5. PRESS THE MOUNT FIRMLY AT THE BASE TO SEAT, ALLOWING THE MOUNT TO ACHIEVE ITS POSITION.



To Detach the NVG Mount:

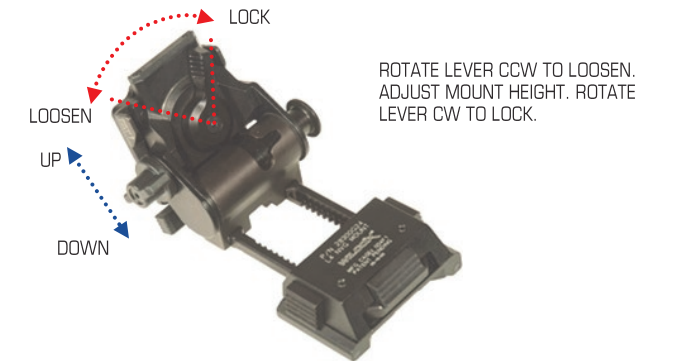
1. SLIDE THE MOUNT RELEASE LEVER TO THE RIGHT USING THE RIGHT FOREFINGER TO UNLOCK THE MOUNT RELEASE (SEE "1", ABOVE).
2. REMOVE THE MOUNT.

To Attach a NVG to the Wilcox NVG Mount:

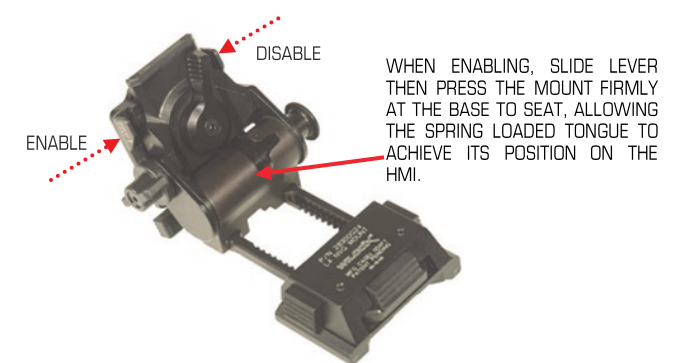


OPERATION

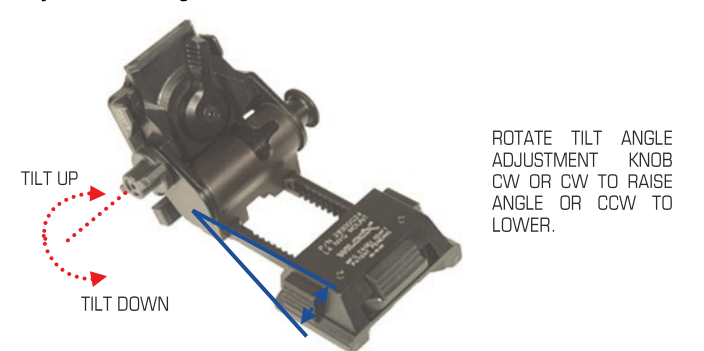
To Adjust the Vertical Height of the Mount:



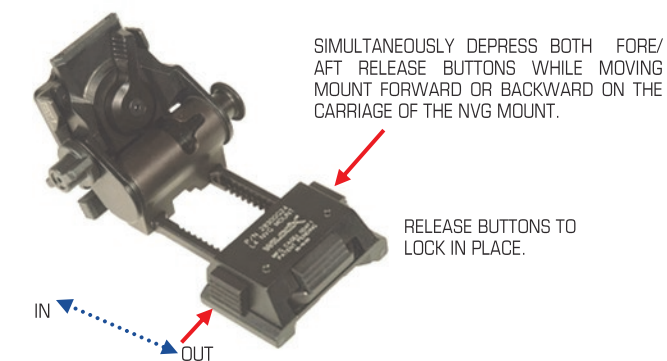
To Enable or Disable the Breakaway Feature:



To Adjust the Tilt Angle of the Mount:



To Adjust the Fore/Aft Position of the NVG:



Force to Overcome:

